

About

History suggests the Vikings were onto something when they built ships from wood to cross the oceans. With woods built in buoyancy and an impressive strength to density ratio, wood makes a safe, solid and lightweight hull.

Mountain Boats is bringing this age old choice of hull material from its impressive history into the modern context starting with the 8' Pram.

Our mission

We believe our boats are the sustainable solution to the recreational boat market.

To provide sustainability without compromising performance we deliver on our intention by using wood with a healthy dose of science and modern technology.

Make an order!

What boating adventure are you dreaming of? Get in touch to find out what your boat will work best for you!

Mountain Boats is a registered Australian boat manufacturer. All boats are issued with an Australian Boat Plate for peace of mind.

MOBILE 0400 430 080

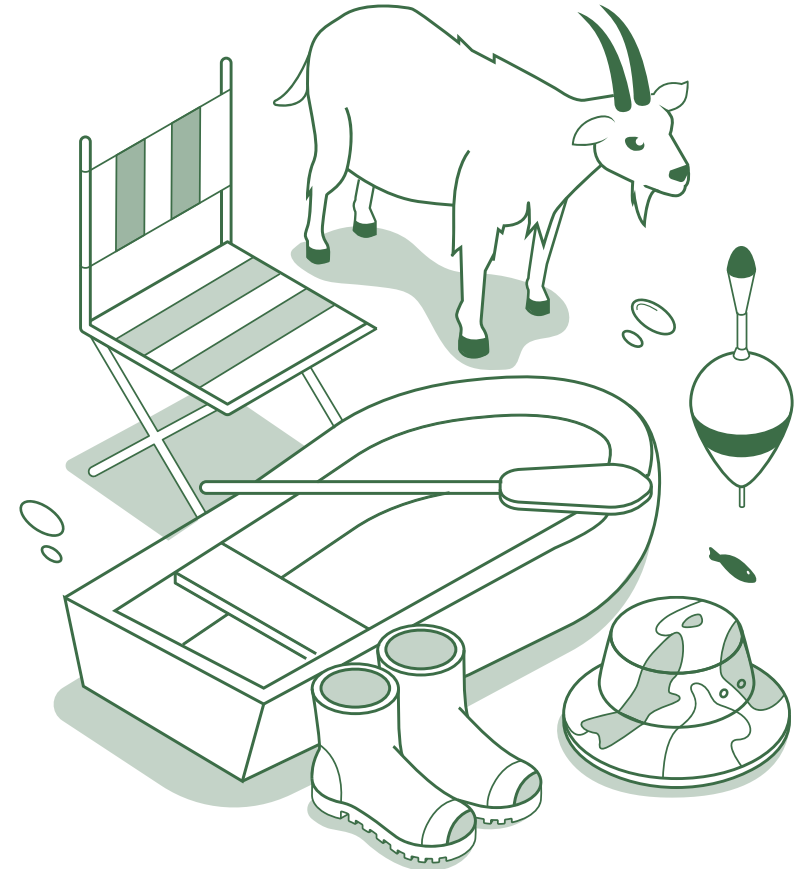
EMAIL chuck@mountainboats.com.au



● mountainboats.com.au

● [@mountain.boats](https://www.instagram.com/mountain.boats)

Wooden boats built with precision & ready for any type of adventure.



Mountain
Boats

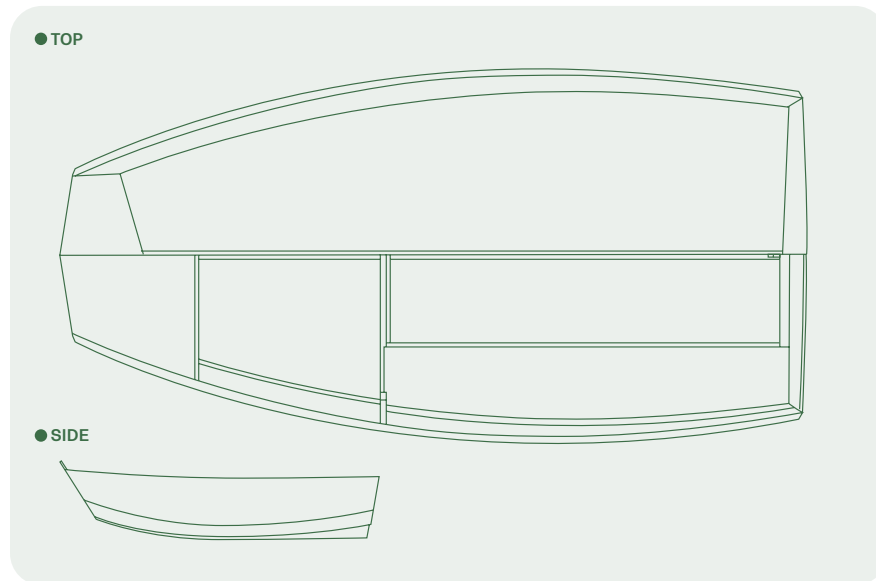
● mountainboats.com.au

● [@mountain.boats](https://www.instagram.com/mountain.boats)

8' Pram

Enough boat for the modest person to have a big adventure, easily car topping with a shallow enough draft to get right up a creek. Head down the creek and out the heads with our flexible build process able to craft a vessel capable of in-shore cruising.

LOA	2.4m (7'11")
BEAM	1.2m (4")
WEIGHT	35 - 45kg
OUTBOARD	up to 3HP
CAPACITY	up to 3 people
PRICE	\$2,245 (Base price)



Longitudinal Buoyancy chambers provide floatation where its needed most providing level floatation in the event of swamping

Rails along the side and in the front of the boat allow you to clip the seats on wherever you need. No more poorly trimmed boats or awkward seating while trying to operate an outboard.

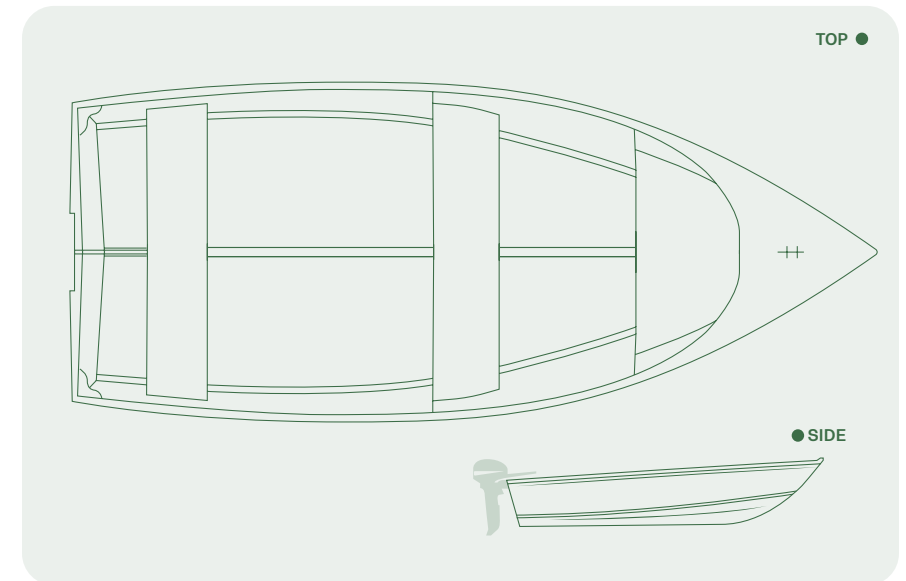
Small customisations go a long way to ensuring your boat is everything your adventure needs. Tell us what you need so we can provide you with your own customised solution.

Sail kit available with a simple modern sail designed by Star Kayak Sails that is paired with leeboards and sculling sweep for control.

11' Open Dinghy

When three people and an Esky is all you need, then this boat has you covered! Able to handle larger outboards this boat maximises on-water performance while still maintaining a level of on-land mobility with car topping normally needing a bit of mechanical aid.

LOA	3.49m
BEAM	1.42m
WEIGHT	50 - 60kg
OUTBOARD	up to 15Hp
CAPACITY	4 People
PRICE	\$5,600 (Base price)



Buoyancy foam built into the hull is a vote for safety providing level floatation in the event of swamping.

Convenient stowage located throughout the hull helping you keep the decks clear.

The larger outboard format with a mild 'v' provides great seaworthiness, a credit to David Payne who designed the hull.

Make an order

